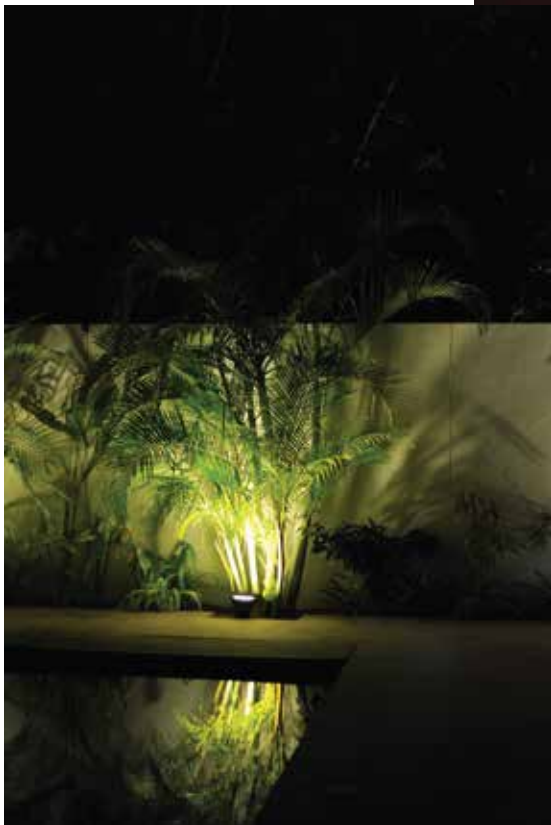


THE RIGHT LIGHT.



PLUG & PLAY  
GARDEN LIGHTING SYSTEM  
2020



C H O O S E A J O B  
Y O U L O V E A N D  
Y O U ' L L N E V E R  
H A V E T O W O R K  
A D A Y I N Y O U R  
L I F E .

C O N F U S C I O U S

# THE RIGHT LIGHT

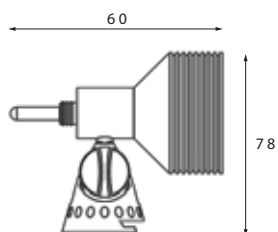
## OUR STORY

OHMS LIGHTING STARTED AS A SMALL ENTERPRISE 30 YEARS AGO, PROVIDING LIGHTING SERVICES TO A SELECT FEW CLIENTS. SINCE THEN, WE HAVE BOUGHT LIGHT TO THE LIVES OF MANY, PROVIDING TOP OF THE LINE LUMINAIRES TO THEIR HOMES, AND OFFICES, TAKING ON INDUSTRIAL AND COMMERCIAL PROJECTS ALIKE.

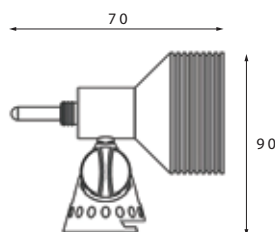
THROUGHOUT THIS JOURNEY, THE LOVE AND SUPPORT FROM OUR CLIENTS HELPED SHAPE THIS COMPANY TO BECOME WHAT IT IS TODAY. WITH THAT, WE ARE PROUD TO INTRODUCE OUR NEW RANGE OF ARCHITECTURAL AND LANDSCAPE LIGHTING - **OHMS GL SERIES**.



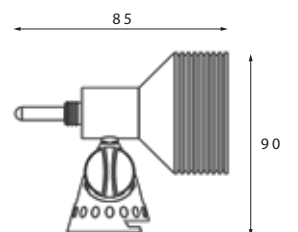
4 W



8 W

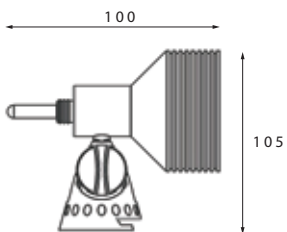


12 W



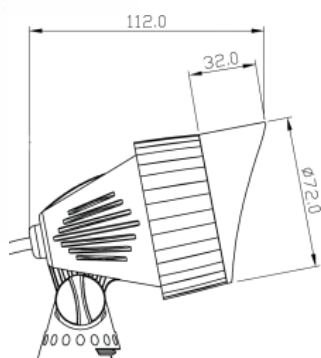


18-24 W



**G L B R A S S S P I K E**

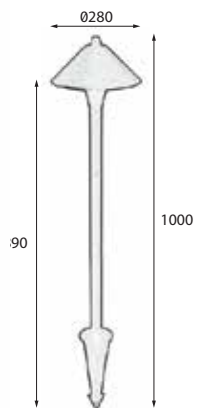
<b>MATERIAL:</b>	CAST BRASS
<b>FINISH:</b>	NICKEL PLATED
<b>VOLTAGE:</b>	12V AC/DC
<b>POWER USAGE:</b>	4W/8W/12W/24W
<b>IP RATING:</b>	IP68
<b>BEAM ANGLE:</b>	30 DEGREES
<b>WARRANTY:</b>	3 - 5 YEARS
<b>AVERAGE LIFE:</b>	50,000 HOURS
<b>LIGHT SOURCE:</b>	3/4/9 CREE LEDS
<b>INSTALLATION:</b>	ABOVE GROUND AND SUBMERSIBLE



5

GL 5 W S P I K E

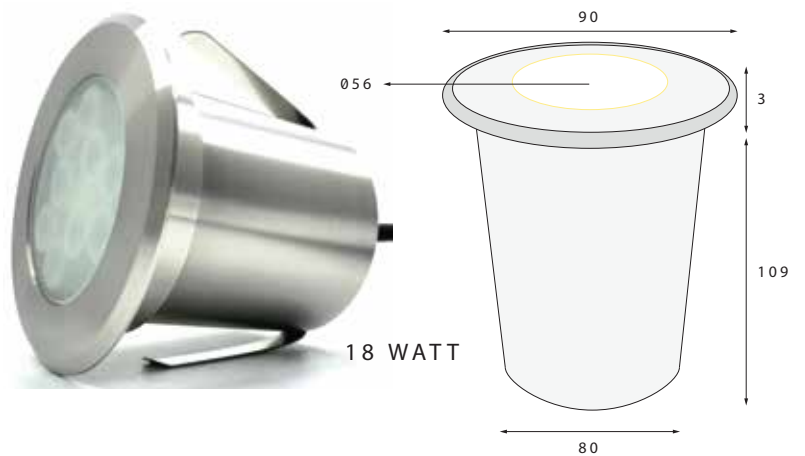
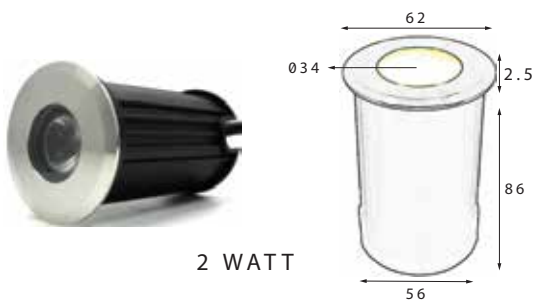
<b>MATERIAL:</b>	PVC
<b>FINISH:</b>	BLACK
<b>VOLTAGE:</b>	12V AC/DC
<b>POWER USAGE:</b>	5W
<b>IP RATING:</b>	IP65
<b>BEAM ANGLE:</b>	30 DEGREES
<b>WARRANTY:</b>	3 - 5 YEARS
<b>AVERAGE LIFE:</b>	50,000 HOURS
<b>LIGHT SOURCE:</b>	3 CREE LEDS
<b>INSTALLATION:</b>	ABOVE GROUND



G L B O L L A R D S P I K E

<b>MATERIAL:</b>	ALUMINIUM
<b>FINISH:</b>	BLACK
<b>VOLTAGE:</b>	12V AC/DC
<b>POWER USAGE:</b>	4W
<b>IP RATING:</b>	IP65
<b>BEAM ANGLE:</b>	360 DEGREES
<b>WARRANTY:</b>	3 - 5 YEARS
<b>AVERAGE LIFE:</b>	50,000 HOURS
<b>LIGHT SOURCE:</b>	3 CREE LEDS
<b>INSTALLATION:</b>	ABOVE GROUND



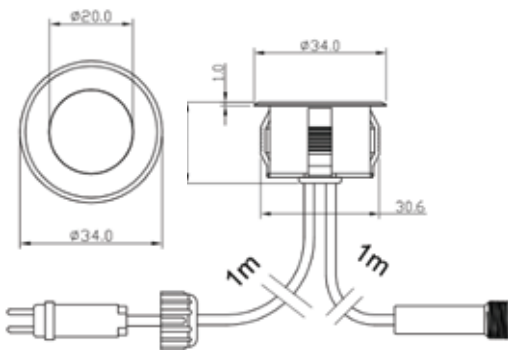


7

80



0.3 WATT



## GLINGROUND

<b>MATERIAL:</b>	STAINLESS STEEL-
<b>FINISH:</b>	STAINLESS STEEL
<b>VOLTAGE:</b>	12V AC/DC
<b>POWER USAGE:</b>	4W/8W/12W/24W
<b>IP RATING:</b>	IP68
<b>BEAM ANGLE:</b>	120/40/30 DEGREES
<b>WARRANTY:</b>	3 - 5 YEARS
<b>AVERAGE LIFE:</b>	50,000 HOURS
<b>LIGHT SOURCE:</b>	1/3/4 CREE LEDS
<b>INSTALLATION:</b>	ABOVE GROUND AND SUBMERSIBLE

# A C C E S S O R I E S

TREE MOUNT BRACKET



MOUNTING BASE



WEIGHTED BASE (FOR WATERBODIES)



GROUND SPIKE & POLE EXTENSION





1 T O 5 C A B L E C O N N E C T E R



1 2 V T R A N S F O R M E R 6 0 W / 1 0 5 W V



D A W N T O D U S K L I G H T S E N S O R



2 M E X T E N S I O N 1 P 6 8 C A B L E

C E R T I F I C A T I O N

**CE FC IP68**



+92 300 8221010



Commercial Lane,  
Zamzama DHA, Karachi



ohmslighting@gmail.com



@OhmsLighting



@ohmslighting



www.ohmslighting.com