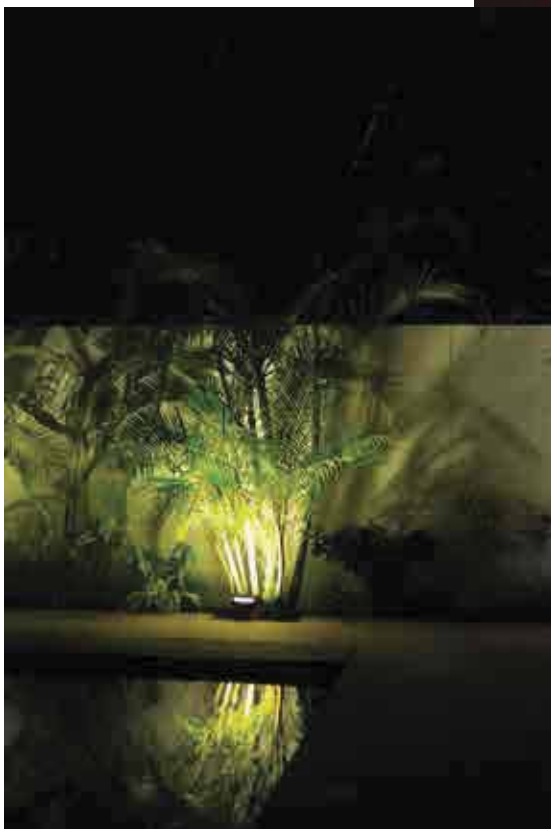
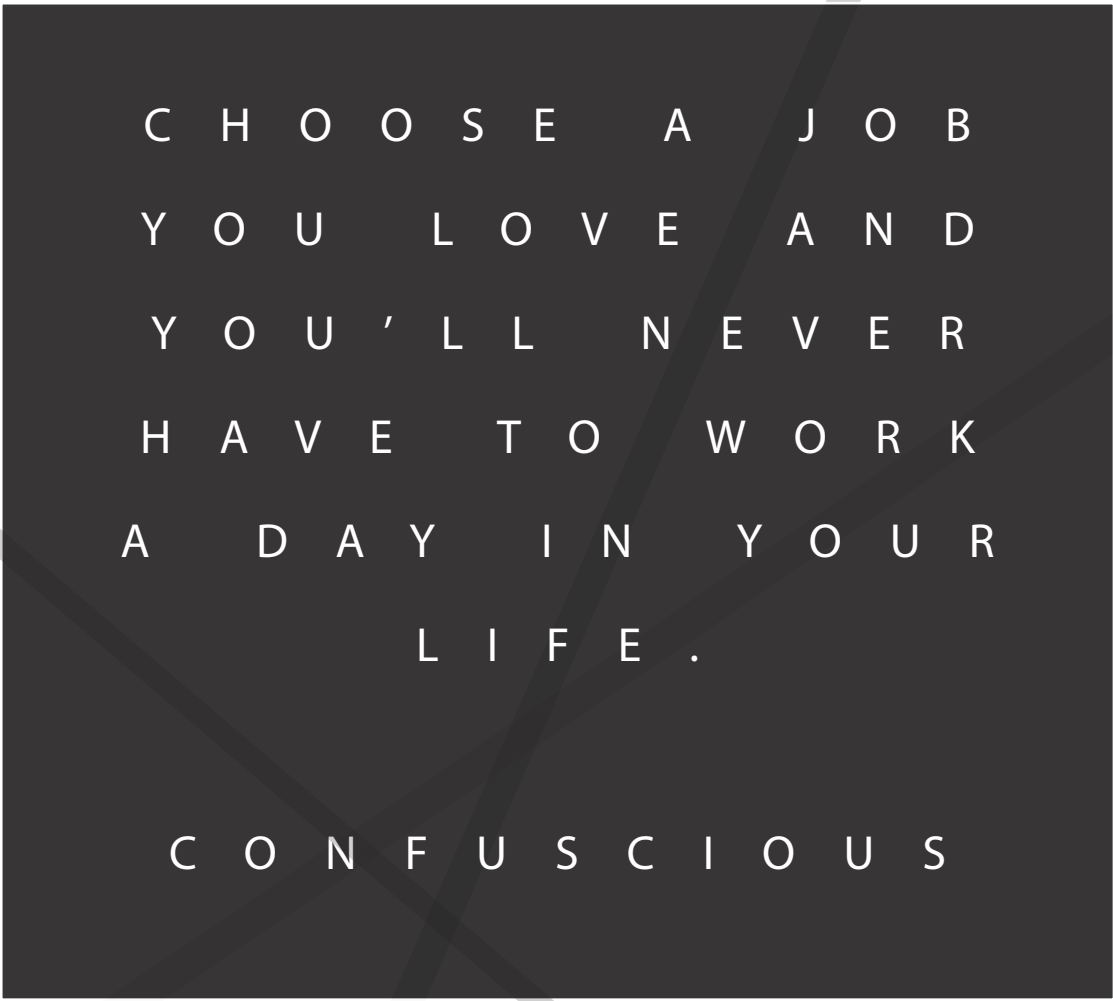


THE RIGHT LIGHT.



PLUG & PLAY
GARDEN LIGHTING SYSTEM
2020





C H O O S E A J O B
Y O U L O V E A N D
Y O U ' L L N E V E R
H A V E T O W O R K
A D A Y I N Y O U R
L I F E .

C O N F U S C I O U S

THE RIGHT LIGHT

O U R S T O R Y

OHMS LIGHTING STARTED AS A SMALL ENTERPRISE 30 YEARS AGO, PROVIDING LIGHTING SERVICES TO A SELECT FEW CLIENTS. SINCE THEN, WE HAVE BOUGHT LIGHT TO THE LIVES OF MANY, PROVIDING TOP OF THE LINE LUMINAIRES TO THEIR HOMES, AND OFFICES, TAKING ON INDUSTRIAL AND COMMERCIAL PROJECTS ALIKE.

THROUGHOUT THIS JOURNEY, THE LOVE AND SUPPORT FROM OUR CLIENTS HELPED SHAPE THIS COMPANY TO BECOME WHAT IT IS TODAY. WITH THAT, WE ARE PROUD TO INTRODUCE OUR NEW RANGE OF ARCHITECTURAL AND LANDSCAPE LIGHTING - **OHMS GL SERIES.**

The light fixtures include:

- LED deck lights
- Inground lights
- Spike spot lights
- Pathway lights
- Submersible lights

We at OHMS Lighting provide not only light fixtures but a complete lighting system including power supplies, waterproof cable connectors, extension cables and down to dusk sensors, everything you need for installation of a safe and well lit garden.



Plug and Play: means simple to install and easy to illuminate. Each cable of the lamp is supplied with a IP68 watertight screw connector, that can be easily and safely installed by everybody and without an electrician. All cables and accessories are supplied with these easy to install, watertight screw connectors. It won't any get easier!



Metal Connector



IP68 Extension Cables

12 Volt
Simple & Safe

12 Volt (low voltage) is considered to be safety voltage by IEC. Improved technology has now allowed 12 volt lighting to provide sufficient light output to illuminate gardens and create ambient and atmospheric light effects. The safety and simplicity of this lighting system makes it possible for anyone to install these lighting themselves.



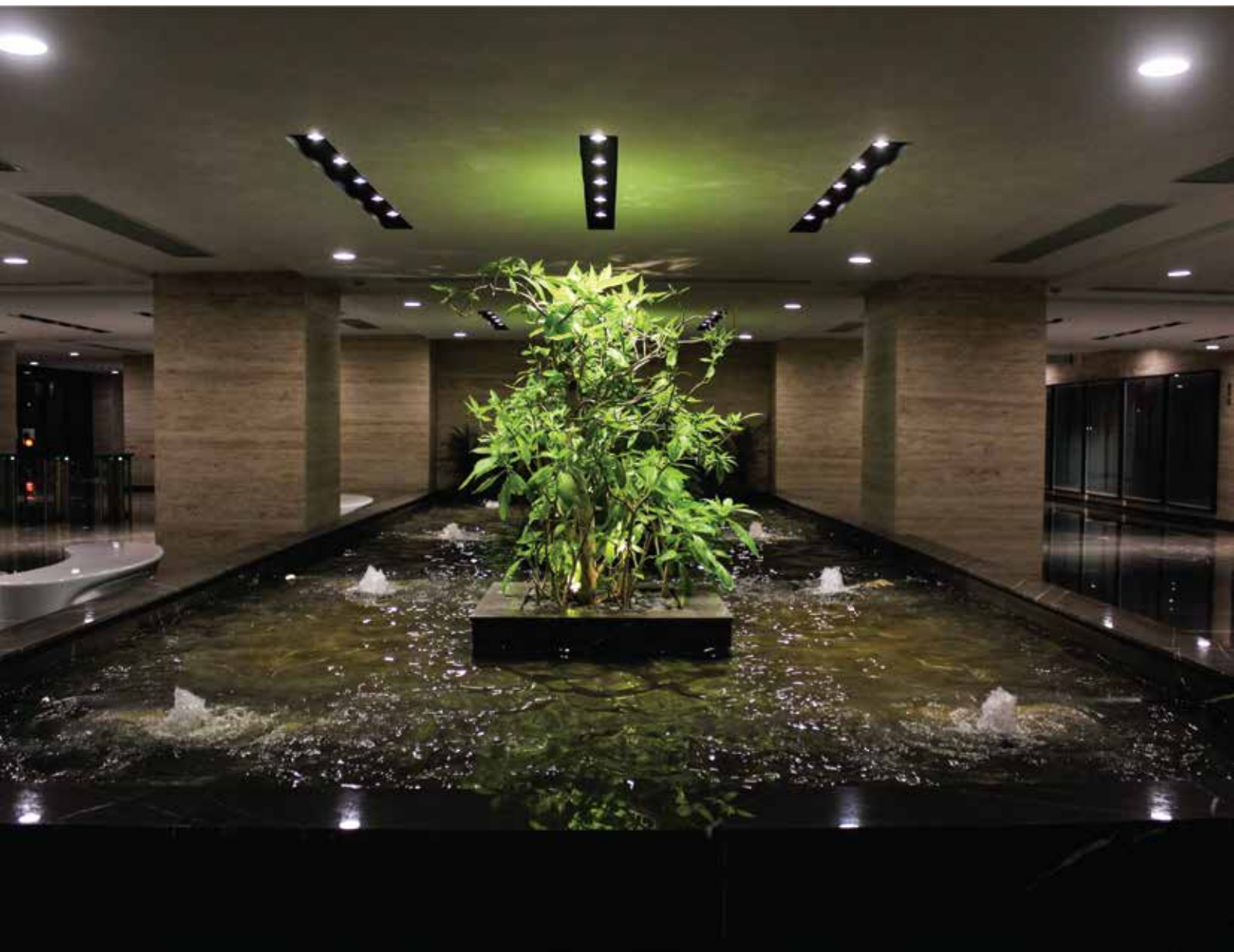
IP68 Cable Connectors

IP68
Waterproof

IP68 means that the equipment is suitable for continuous immersion in water, or under ground. All of the IP68 rated fittings can be installed up to 4 metre in water for a long time. Not other accessories will be required any more.



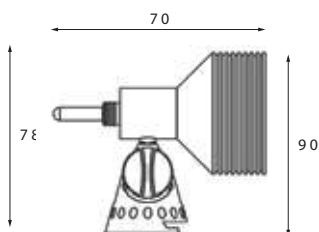
Transformers



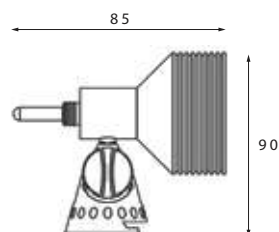
12 V
CREE
LED
IP 68



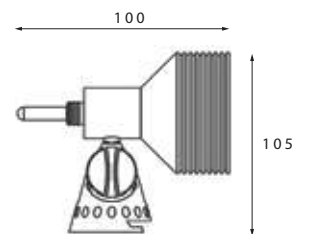
8 W



12 W



18-24 W





12 V
 CREE
 LED
 IP68



SUBMERSIBLE BRASS LIGHTS

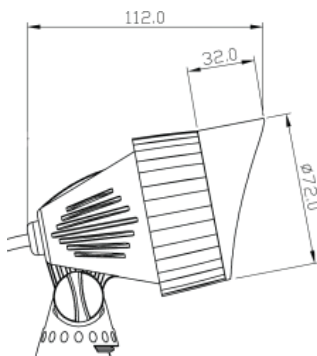
MATERIAL:	CAST BRASS
FINISH:	NICKEL PLATED
VOLTAGE:	12V AC/DC
POWER USAGE:	8W/12W/24W
IP RATING:	IP68
BEAM ANGLE:	30 DEGREES
WARRANTY:	3 - 5 YEARS
AVERAGE LIFE:	50,000 HOURS
LIGHT SOURCE:	3/4/9 CREE LEDS
INSTALLATION:	ABOVE GROUND AND SUBMERSIBLE



12 V

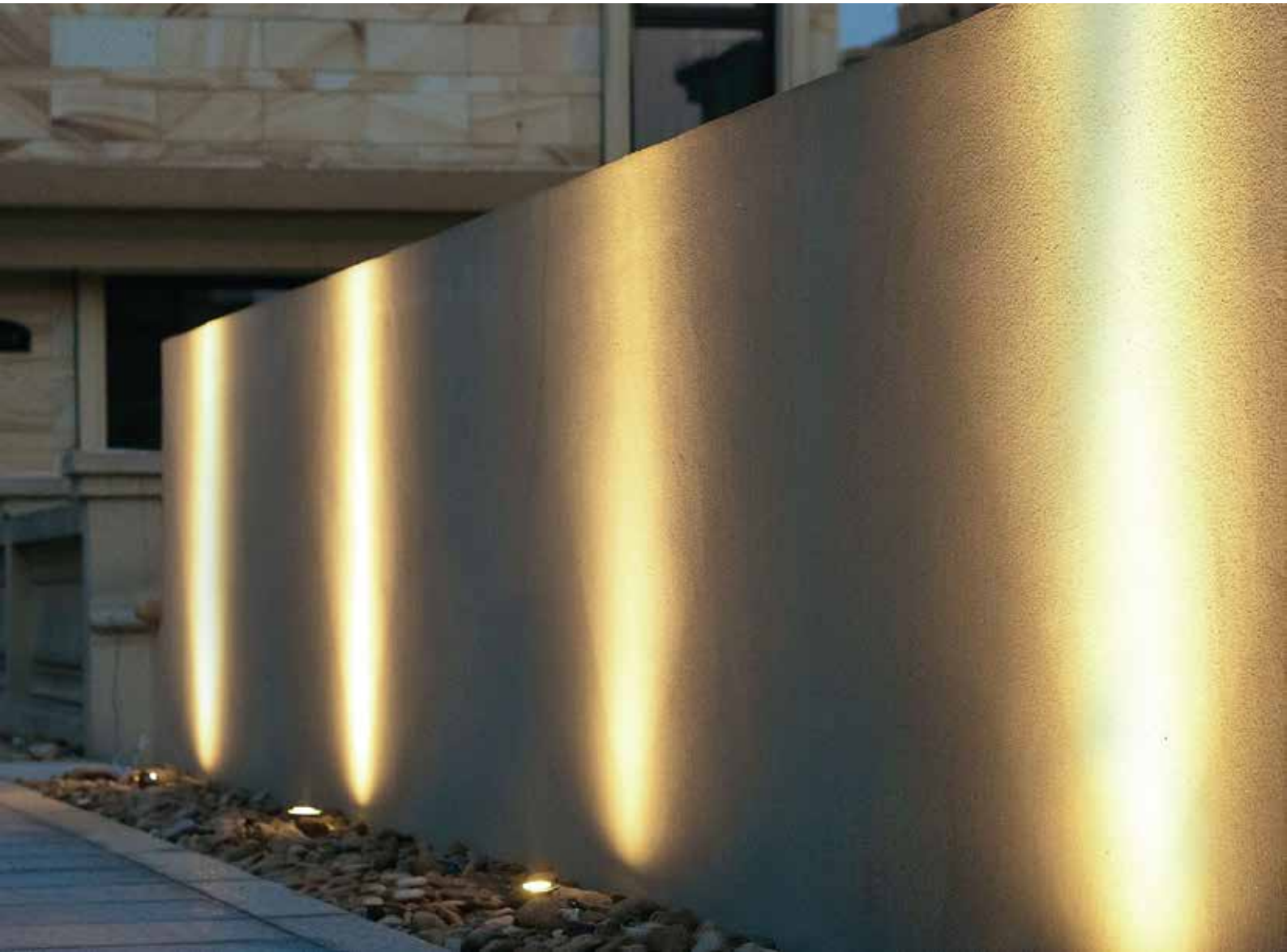
CREE
LED

IP68



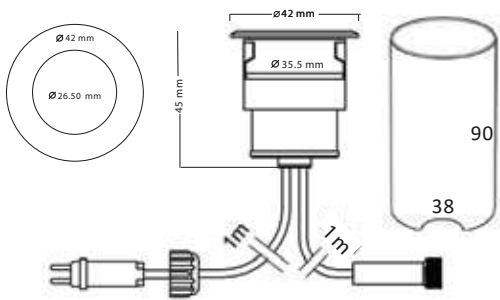
5W GL SPKE LIGHT

MATERIAL:	PVC
FINISH:	BLACK
VOLTAGE:	12V AC/DC
POWER USAGE:	5W
IP RATING:	IP65
BEAM ANGLE:	30 DEGREES
WARRANTY:	3 - 5 YEARS
AVERAGE LIFE:	50,000 HOURS
LIGHT SOURCE:	3 CREE LEDS
INSTALLATION:	ABOVE GROUND



2 WATT

12 V
CREE LED
IP 68



4 WATT

12 V
CREE LED
IP 68





Warm white

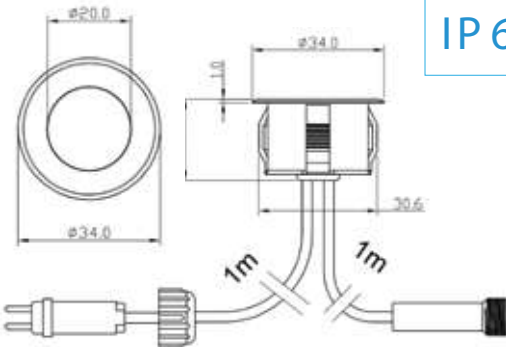


Blue



0.3 WATT

12 V
 CREE
 LED
 IP 68



LED DECK LIGHTS

MATERIAL:	STAINLESS STEEL -
FINISH:	STAINLESS STEEL
VOLTAGE:	12V AC/DC
POWER USAGE:	4W/2W/0.3WH
IP RATING:	IP68
BEAM ANGLE:	120/40/30 DEGREES
WARRANTY:	3 - 5 YEARS
AVERAGE LIFE:	50,000 HOURS
LIGHT SOURCE:	1/3/4 CREE LEDS
INSTALLATION:	ABOVE GROUND AND SUBMERSIBLE

A C C E S S O R I E S

TREE MOUNT BRACKET



MOUNTING BASE



WEIGHTED BASE (FOR WATERBODIES)



GROUND SPIKE & POLE EXTENSION





1 TO 5 C A B L E C O N N E C T E R



1 2 V T R A N S F O R M E R 6 0 W / 1 0 5 W V



D A W N T O D U S K L I G H T S E N S O R



2 M E X T E N S I O N 1 P 6 8 C A B L E

C E R T I F I C A T I O N

CE FC IP68

THE RIGHT LIGHT.



OHMS
LIGHTING

220v
OUTDOOR
LIGHTING

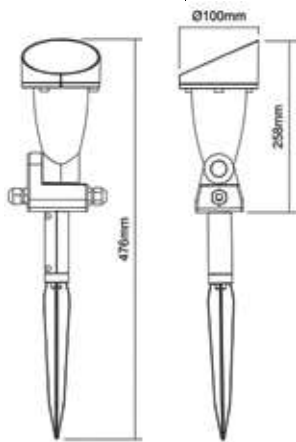




MADE IN PAKISTAN

BRASS INGROUND LIGHTS

MATERIAL:	BRASS / S.S 304
FINISH:	BRASS
VOLTAGE:	12V AC/DC
POWER USAGE:	6W/18W
IP RATING:	IP68
BEAM ANGLE:	120/40/30 DEGREES
WARRANTY:	5 YEARS
AVERAGE LIFE:	50,000 HOURS
LIGHT SOURCE:	GU10/PAR38
INSTALLATION:	RECESSED



TEKA SPIKE LIGHT

MATERIAL:	UPVC
FINISH:	BLACK
VOLTAGE:	220VDC
POWER USAGE:	6W
IP RATING:	IP66
BEAM ANGLE:	120/40/30 DEGREES
WARRANTY:	6 YEARS
AVERAGE LIFE:	50,000 HOURS
LIGHT SOURCE:	GU10
INSTALLATION:	SPIKE



GU10 SPIKE LIGHT

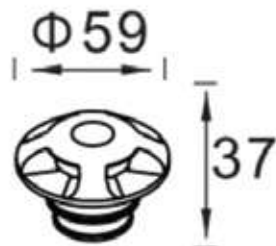
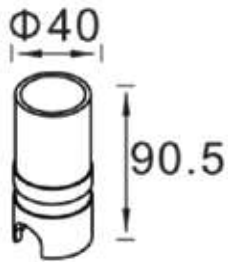
MATERIAL:	ALUMINIUM / UPVC
FINISH:	BLACK
VOLTAGE:	220VDC
POWER USAGE:	6W
IP RATING:	IP66
BEAM ANGLE:	120/40/30 DEGREES
WARRANTY:	2 YEARS
AVERAGE LIFE:	50,000 HOURS
LIGHT SOURCE:	GU10
INSTALLATION:	SPIKE / SURFACE



MADE IN
PAKISTAN 

GLOBE SPIKE LIGHT

MATERIAL:	FIBER/ BRASS
FINISH:	CLEAR
VOLTAGE:	220VDC
POWER USAGE:	8W
IP RATING:	IP66
BEAM ANGLE:	DISPERSED
WARRANTY:	2 YEARS
AVERAGE LIFE:	50,000 HOURS
LIGHT SOURCE:	SAVER LAMP
INSTALLATION:	SPIKE/ SURFACE



DECK LIGHT

MATERIAL:	ALUMINIUM
FINISH:	GREY
VOLTAGE:	220VDC
POWER USAGE:	5W
IP RATING:	IP67
BEAM ANGLE:	120/40/30 DEGREES
WARRANTY:	2 YEARS
AVERAGE LIFE:	50,000 HOURS
LIGHT SOURCE:	1 CREE LED
INSTALLATION:	RECESSED

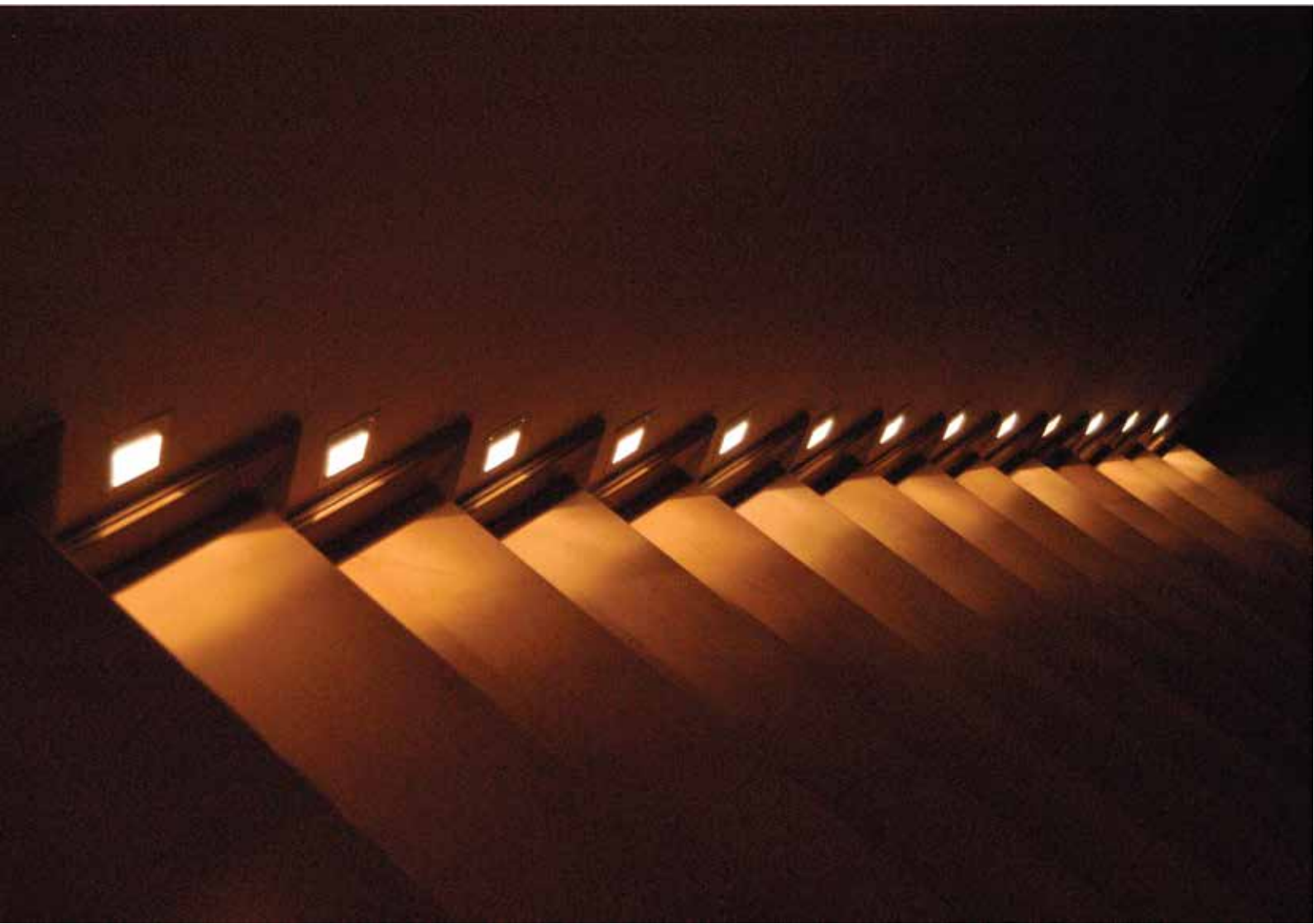


CONCRETE BOLLARD

MATERIAL:	CONCRETE
FINISH:	SANDSTONE
VOLTAGE:	220VDC
POWER USAGE:	18 w
IP RATING:	IP67
BEAM ANGLE:	30 DEGREES
WARRANTY:	4 YEARS
AVERAGE LIFE:	50,000 HOURS
LIGHT SOURCE:	SAVER LAMP
INSTALLATION:	SURFACE

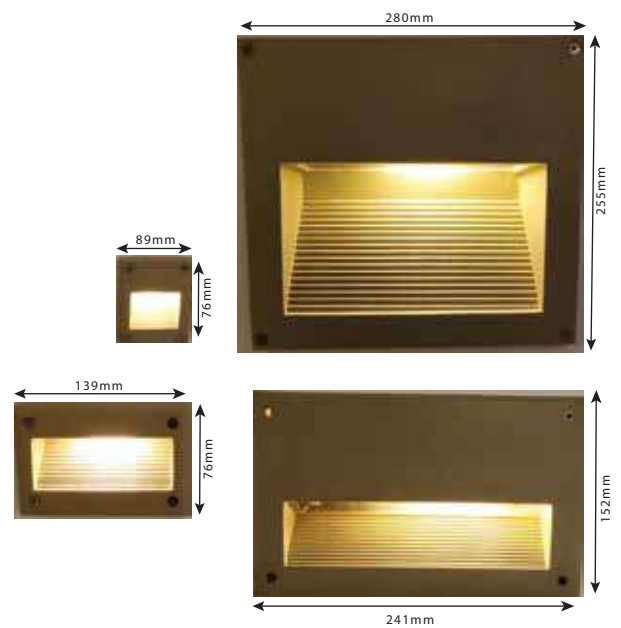


MADE IN PAKISTAN



NICHE LIGHTS

MATERIAL:	ALUMINIUM CASTING
FINISH:	CHAMPAGNE
VOLTAGE:	220VDC
POWER USAGE:	18w / 5w / 3w
IP RATING:	IP65
BEAM ANGLE:	30 DEGREES
WARRANTY:	3 YEARS
AVERAGE LIFE:	50,000 HOURS
LIGHT SOURCE:	SAVER LAMP / 2 LEDS
INSTALLATION:	RECESSED



MADE IN PAKISTAN